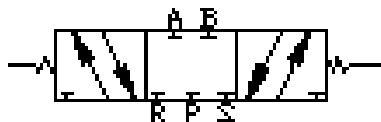
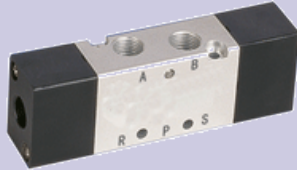
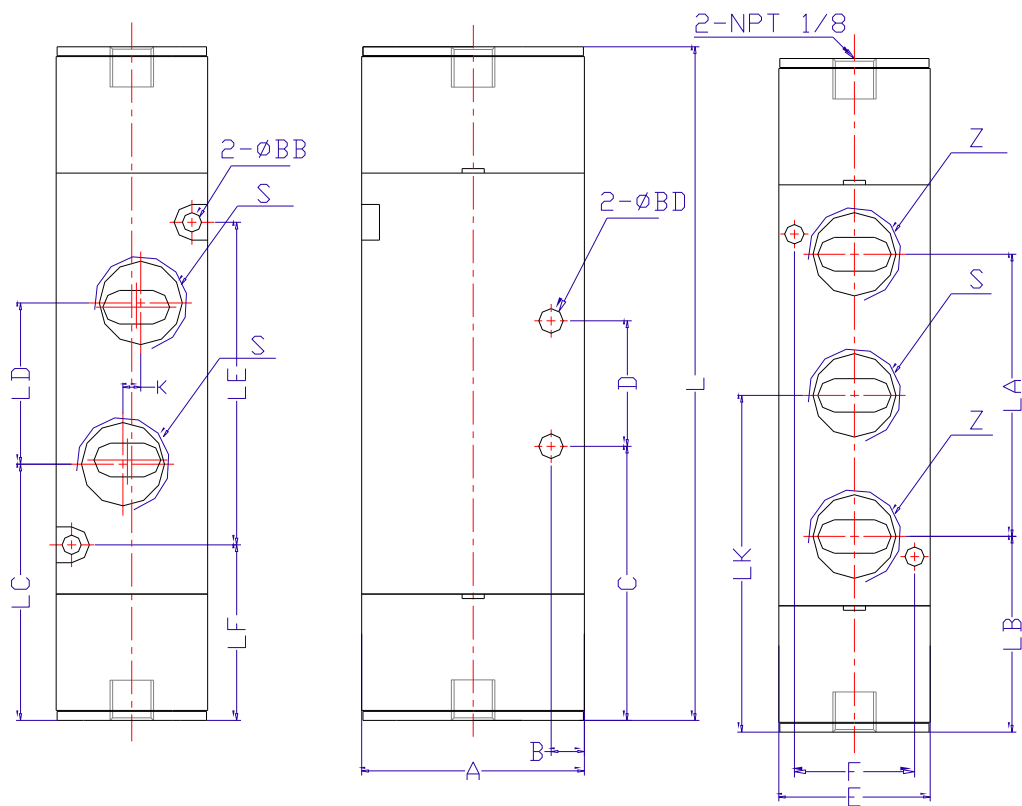


STC Pilot Operated Pneumatic Directional Control Valve: 4A130C-430C Series Dimensions (UNIT=MM)



Part No.	Unit Price	Valve Picture	Port Size (NPT)	Description	Port No/ Position	Cv Flow Rate
4A130C-1/8	\$51.46		1/8 NPT	4 Way 3 Position Closed Center Double Pilot Air Valves	5/3 Four Way Valve	Cv = 0.67 25 SCFM @100 PSI
4A230C-1/4	\$65.31		1/4 (inlet/outlet) 1/8 (Exhaust)			Cv = 0.78 53 SCFM @100 PSI
4A330C-3/8	\$75.37		3/8 (inlet/outlet) 1/4 (Exhaust)			Cv = 1.68 80 SCFM @100 PSI
4A430C-1/2	\$89.63		1/2 NPT			Cv = 2.79 160 SCFM @100 PSI

MODEL: 4A130; 4A230; 4A330; 4A430



Model	A	B	C	D	E	F	K	L	S	W	Z	BB	BD	LA	LB	LC	LD	LE	LF	LK
4A130-1/8	27	4.0	33.5	14	18	13	3	96	1/8	53.5	1/8	3.3	3.3	28	26.5	32.5	16	30	25.5	40.5
4A230-1/4	35	7.0	36.0	20	22	17	3	110	1/4	66.5	1/8	3.3	4.3	36	28.0	37.0	21	38	27.0	46.0
4A330-3/8	40	6.5	43.5	24	27	20	4	130	3/8	69	1/4	4.3	4.3	45	33.0	43.5	24	50	30.5	55.5
4A430-1/2	50	7.5	51.0	28	34	27	4	165	1/2	73.5	1/2	4.3	5.5	63	39.5	71.0	36	72	35.0	71.0